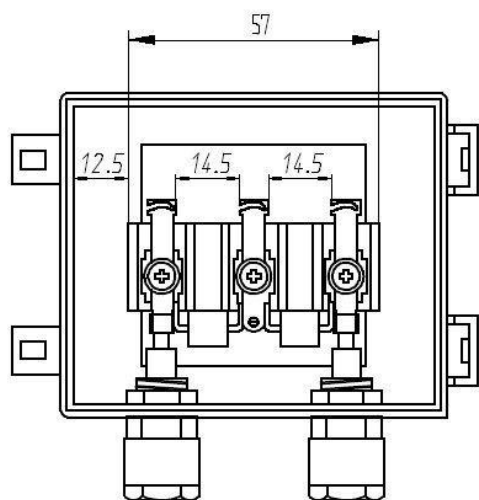




- Features:**
- IP65 Rated enclosure, Connectors are rated IP67.
 - Requires no potting inside the junction box.
 - Terminates the foil leads from the module by using spring clips eliminating the need for soldering or welding.
 - Junction box lid uses two latches to secure the lid to the lower box housing.
 - TUV certified



TECHNICAL SPECIFICATIONS	
	JH-02 (TUV)
Power	80W
Number of diodes	2 (10SQ050)
Rated voltage	TUV:1000V
Rated current	12A
Rated current of diode	10A
Safety class	Class II
Dimension	88X74X24mm
Temperature range	-40°C to 85°C
Cross-section area of Cable	2.5 - 6 sq.mm
Degree of protection	IP65
Flame class	UL94-VO
Length of Cable	0.95m
Box Material	PPO